

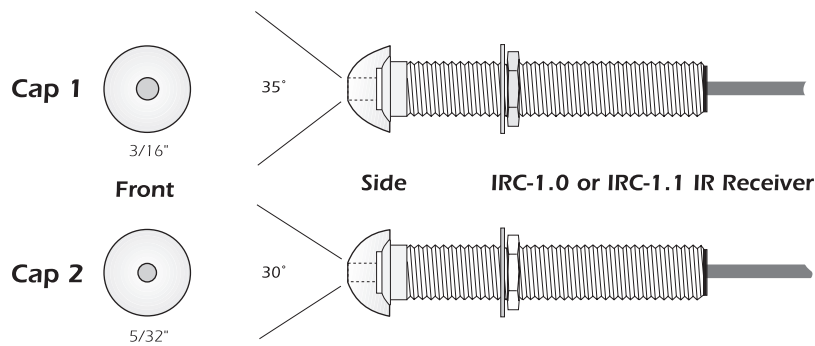
SmartPath™

Plasma Ambient Light Restrictor Caps for IRC-1.0 & IRC-1.1 Receivers

INSTALLATION INSTRUCTIONS

Included are two special snap-on caps for the restriction of plasma and other types of ambient IR noise interference. The exclusive Ambient Noise Suppression circuit used in the IRC-1.0 and IRC-1.1 will handle all types of noise and effectively reduces such noise to an acceptable level. However, in certain cases, the random strength of the pulsed IR noise from plasma displays, with scene changes, will cause too much noise to pass to the controlled component, resulting in intermittent response to IR commands.

If you experience this problem, snap on one of these caps instead of one of the thinner color caps supplied. Normally, use the one with the **LARGER** hole (Cap 1, 3/16"). It will work in most cases and gives a wider angle of reception (about $\pm 35^\circ$). If you encounter a particular severe case, use the one with the **SMALLER** hole (Cap 2 5/32"), bearing in mind that this narrows the reception angle to about $\pm 30^\circ$ and reduces the range somewhat.



CAUTION: These caps can be spray painted to match wall colors as with the other color caps. However, when doing so, you must plug the hole to mask it from the paint. The inside of the hole must remain black for maximum rejection of the IR plasma interference.

SpeakerCraft®

INSTRUCTION SHEET
 LINEAR P/N: 224885X1
 SIZE: 8.25" X 5.25"
 SCALE: 1-1
 INK: BLACK
 MATERIAL: 60LB GLOSS WHITE PAPER