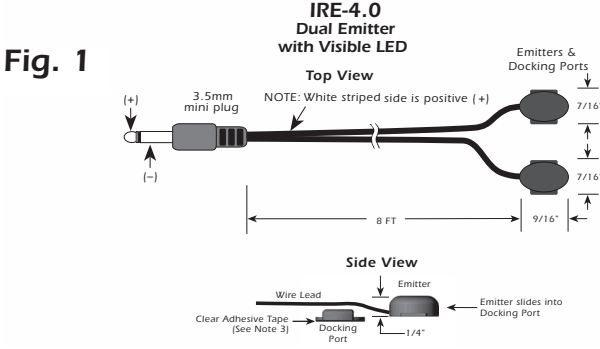


**DESCRIPTION**

The IRE-4.0 is the dual emitter version of the IRE-3.0. It features a unique EZ-Docker™ plate that permits instant removal of the emitter when rearranging or servicing components. It flashes visible red when emitting IR control signals. It has 75% lower IR output than non-visible emitters and therefore should be used when controlling multi-zone components to avoid cross-zone interaction. An improved adhesive reduces callbacks for reattachment of "fallen emitters".

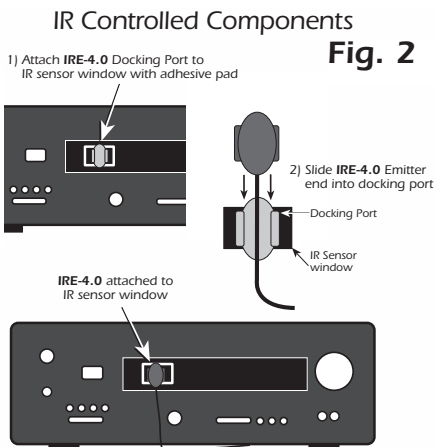


**ATTACHMENT**

First, locate the component's IR Sensor window (see Note 1) and thoroughly clean it of any fingerprints or other greasy substances. The EZ-Docker™ port has a clear adhesive layer on its bottom surface. Peel the protective layer off, exposing the adhesive.

Orient the port vertical (see Fig. 2) and press it over the center of the component's sensor window. Press & hold for several seconds to ensure maximum contact of the adhesive.

Slide the emitter from the top down, into the EZ-Docker™ port. You should feel it "snap" into place.



(To remove the emitter at any time, simply push upward until it "pops" out).

Insert the 3.5mm plug into an Emitter jack on a SpeakerCraft Terminator or other source of IR (see Fig. 3).

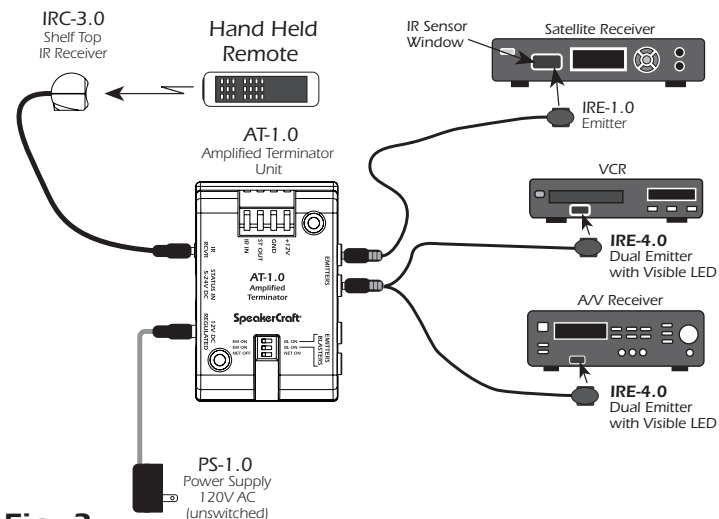
**CAUTION:** Do not plug into an emitter jack that is set to Blaster Power (BL ON) or to the HIGH OUT of other connecting blocks. **To do so will smoke the emitters!!**

**Note 1:** If you have difficulty finding the component's IR sensor, try using a flashlight. Sometimes the owner's manual is helpful. You may need to contact the manufacturer direct.

**Note 2:** You may also attach the emitter without the EZ-Docker™ port. Use one of the spare adhesives (included) applying it directly to the bottom surface of the IRE-4.0 shell.

**Note 3:** If you need to remove the EZ-Docker™ port or emitter previously stuck to a component's surface, use a fresh adhesive (included) before reattaching.

**TYPICAL INSTALLATION**





## INSTALLATION INSTRUCTIONS

# SmartPath™ IRE-4.0 Dual IR Emitter with Visible LED

**SpeakerCraft®**

**Note 4:** The emitters on the IRE-4.0 are wired in series. If you cut one off, you will need to short the cut-off wires together for the other one to operate.

**Note 5:** The emitter shell and EZ-Docker™ port, though dark in appearance, are transparent to Infrared. This allows IR commands to pass through them, permitting local hand held remote control as well as through the IRE-4.0.

### LIMITED 5-YEAR WARRANTY

SpeakerCraft Inc. warrants to the original retail purchaser only that this SpeakerCraft product will be free from defects in materials and workmanship, for a period of 5-years, provided it was purchased from a SpeakerCraft Authorized Dealer.

Defective products must be shipped, together with proof of purchase, prepaid insured to the SpeakerCraft Authorized Dealer from whom they were purchased, or to the SpeakerCraft factory at the address listed on this installation instruction manual. Freight collect shipments will be refused. It is preferable to ship this product in the original shipping container to lessen the chance of transit damage. In any case, the risk or loss or damage in transit is to be borne by the purchaser. If upon examination at the Factory or SpeakerCraft Authorized Dealer it is determined that the unit was defective in materials or workmanship at any time during this warranty period, SpeakerCraft or the SpeakerCraft Authorized Dealer will, at its option, repair or replace this product at no additional charge, except as set forth below. If this model is no longer available and can not be repaired effectively, SpeakerCraft, at its sole option may replace the unit with a current model of equal or greater value. In some cases where a new model is substituted, a modification to the mounting surface may be required. If mounting surface modification is required, SpeakerCraft assumes no responsibility or liability for such modification. All replaced parts and product become the property of SpeakerCraft Inc. Products replaced or repaired under this warranty will be returned to the original retail purchaser, within a reasonable time, freight prepaid.

This warranty does not include service or parts to repair damage caused by accident, disaster, misuse, abuse, negligence, inadequate packing or shipping procedures, commercial use, voltage inputs in excess of the rated maximum of the unit, or service, repair or modification of the product which has not been authorized or approved by SpeakerCraft. This warranty also excludes normal cosmetic deterioration caused by environmental conditions. This warranty will be void if the Serial number on the product has been removed, tampered with or defaced.

This warranty is in lieu of all other expressed warranties. If the product is defective in materials or workmanship as warranted above, the purchaser's sole remedy shall be repair or replacement as provided above. In no event will SpeakerCraft be liable for any incidental or consequential damages arising out of the use or inability to use the product, even if SpeakerCraft Inc. or a SpeakerCraft Inc. Authorized Dealer has been advised of the possibility of such damages, or for any claim by any other party. Some states do not allow the exclusion or limitation of consequential damages, so the above limitation and exclusion may not apply. All implied warranties on the product are limited to the duration of this expressed warranty. Some states do not allow limitation on the length of an implied Warranty. If the original retail purchaser resides in such a state, this limitation does not apply.

**SpeakerCraft®**

940 Columbia Avenue, Riverside, CA 92507 • Phone 1-800-448-0976 • Fax 951-787-8747  
www.speakercraft.com